



BFC srl
Via Martiri Delle Foibe, 15
31015 Scomigo di
Conegliano - TV - IT
T. +39 0438 394979
F. +39 0438 394587
M. info@bfcsrl.it
W. www.bfcsrl.it

I nostri canali social



BFCcoffemachinesofficial
@bfccoffeemachines_official

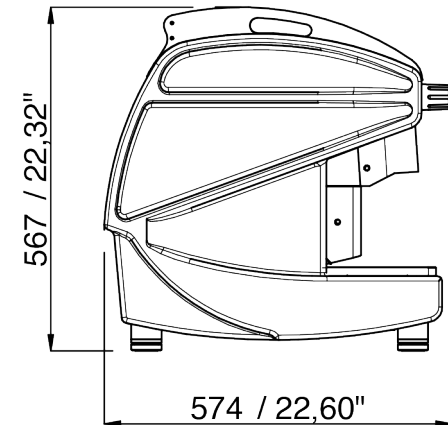
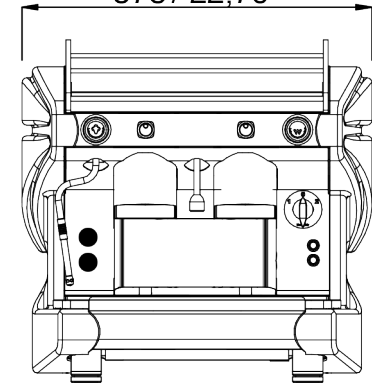
LIRA XS

LIRA XS

Gruppi - Groups - Groupes	2
Peso Kg/lbs - Net weight - Poids net	45 / 99
Caldaia lt./Us Gal - Boiler - Chaudière	5/1,3
Watt Volt	2500 - 2900 110/230/240
Portafiltri - Filter holders - Porte-filtres	2



578 / 22,76"



567 / 22,32"

574 / 22,60"



Colori disponibili • Colours available



Caldaia in rame a circuito termosifonico

- Copper inner boiler continuous heat circulation
- Chaudière en cuivre, circulation par thermosiphon

2 Lance Vapore / 1 Lancia acqua miscelata

- 2 Steamspouts / 1 Hot/cool water pipe
- 1 Lance vapore / 1 Tube de l'eau melangée

Motopompa incorporata

- Motor pump inside
- Motopompe incorporée

Autolivello automatico

- Automatic boiler water level control
- Contrôle automatique du niveau de l'eau

Gruppi termocompensati

- Heat-balancing units
- Groupes thermocompensés

Optional : Kit capsula o kit cialda

- Optional: Kit capsule or kit pod
- Optionnel: Kit capsule ou kit pod

